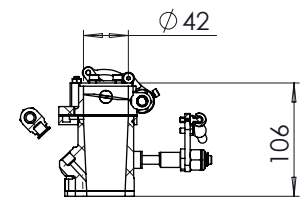
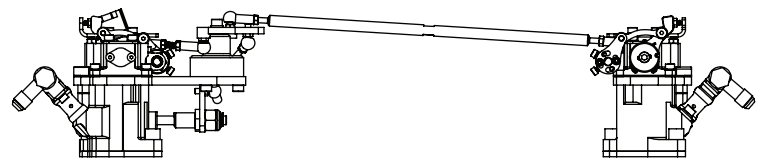
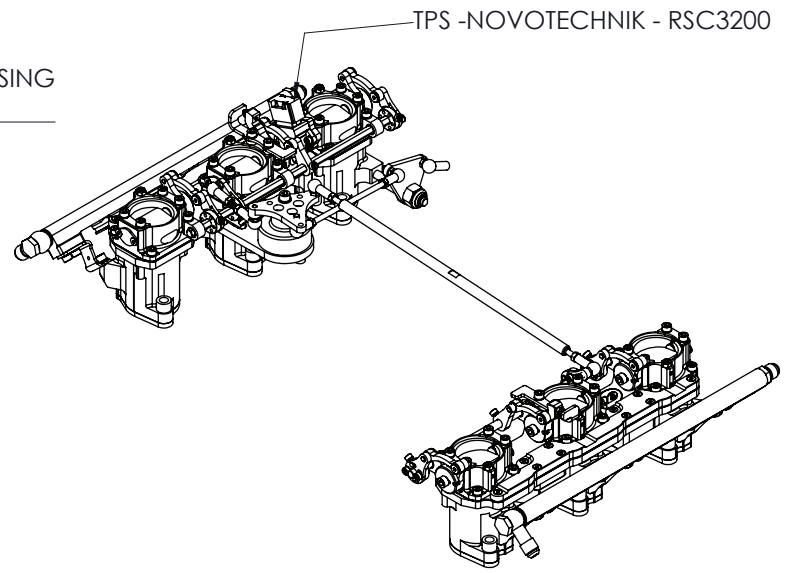

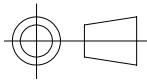


43  
FROM SIDE OF THROTTLE HOUSING  
TO SIDE OF LEVER ARM



SECTION A-A

 COPYRIGHT (c) 2013 AT POWER LTD UNIT 9, CHESTNUT DRIVE, WYMONDHAM, NORFOLK, UK, NR18 9SB	 THIRD ANGLE PROJECTION		MATERIAL	SEE COMPONENT PARTS
	UNLESS OTHERWISE STATED: DIMENSIONS IN MILLIMETRES TOLERANCES: LINEAR $\pm 0.1$ ANGULAR $\pm 0.5^\circ$ SURFACE FINISH $\checkmark = \checkmark$ DRAWING STANDARDS TO ATQS 6003 DATE FORMAT: DD/MM/YY	SCALE 1:5	WEIGHT 5597.045 g	FINISH
THIS DESIGN IS THE PROPERTY OF AT POWER THROTTLERS LTD AND MUST NOT BE REPRODUCED OR COMMUNICATED WITHOUT AUTHORITY	CHECKED - S.HOW	DATE - 28/01/21	DRAWING TITLE	PORSCHE 911-T-RS-RSR - 2.2L-2.7L-2.8L - 1970-77 36 DIA PORT TO 42 - CABLE
CAD PLOT DO NOT SCALE	APPROVED - A.CLIFTON		DRAWING NUMBER	102-102-00262