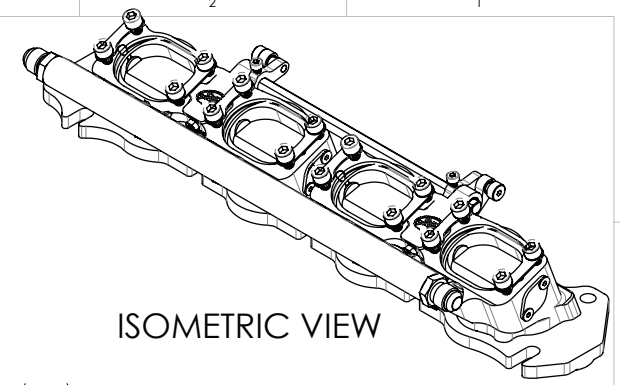
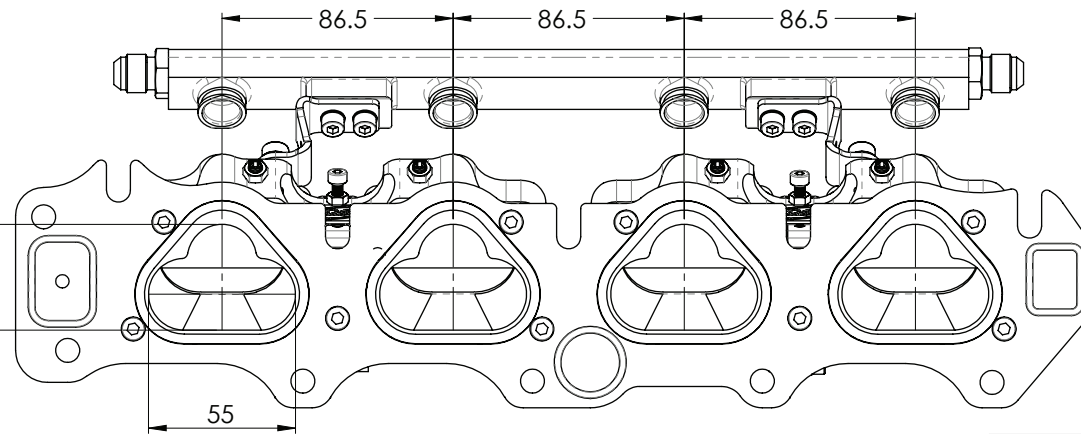
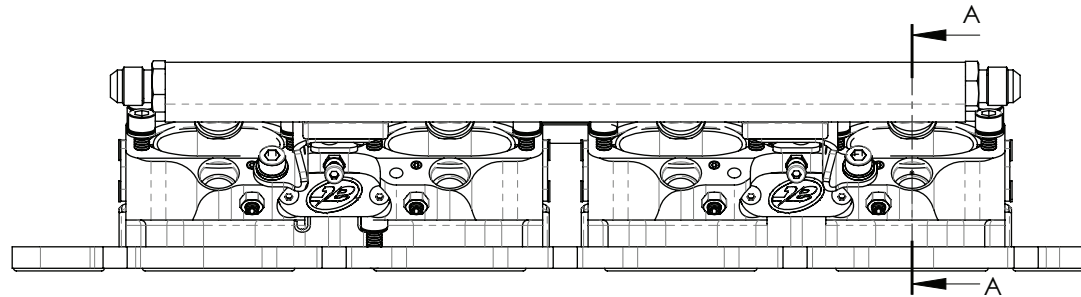
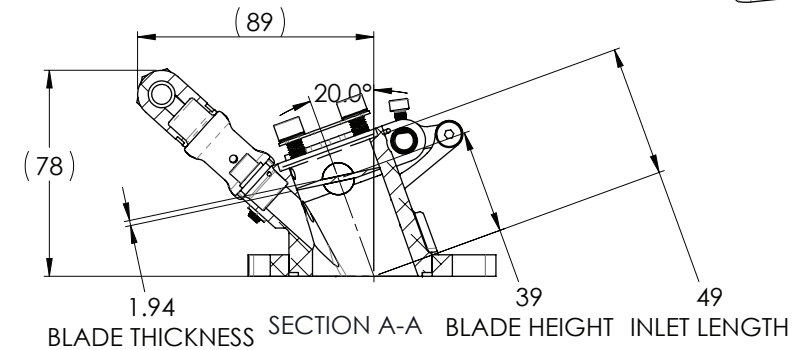


NOTE;

BLADE DIMENSIONS - 48 WIDE x 32 HIGH  
 =  $\phi 42$ mm EQUIVALENT OVAL



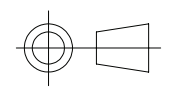
ISOMETRIC VIEW



COPYRIGHT (c) 2013  
 AT POWER LTD  
 UNIT 9, CHESTNUT DRIVE, WYMONDHAM,  
 NORFOLK, UK, NR18 9SB

UNLESS OTHERWISE STATED:  
 DIMENSIONS IN MILLIMETRES  
 TOLERANCES: LINEAR  $\pm 0.1$  ANGULAR  $\pm 0.5^\circ$   
 SURFACE FINISH  $\checkmark = \checkmark$   
 DRAWING STANDARDS TO ATQS 6003  
 DATE FORMAT: DD/MM/YY

THIS DESIGN IS THE PROPERTY OF  
 AT POWER THROTTLES LTD AND  
 MUST NOT BE REPRODUCED OR  
 COMMUNICATED WITHOUT  
 AUTHORITY



THIRD ANGLE PROJECTION

SCALE 1:2 WEIGHT 1.8 kg

DRAWN- S.HOW

DATE - 09/03/20

CHECKED - S.HOW

APPROVED - A.CLIFTON

MATERIAL  
 SEE COMPONENT PARTS

FINISH  
 SEE COMPONENT PARTS

DRAWING TITLE  
**ASSY - HOUSING - TWIN  
 - VAUXHALL - X16XE**

DRAWING NUMBER  
**102-104-00002**