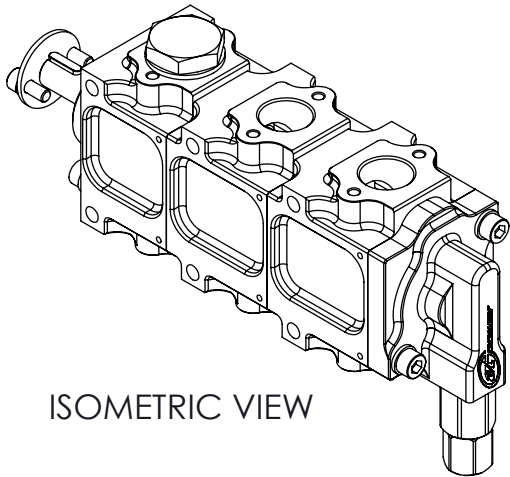
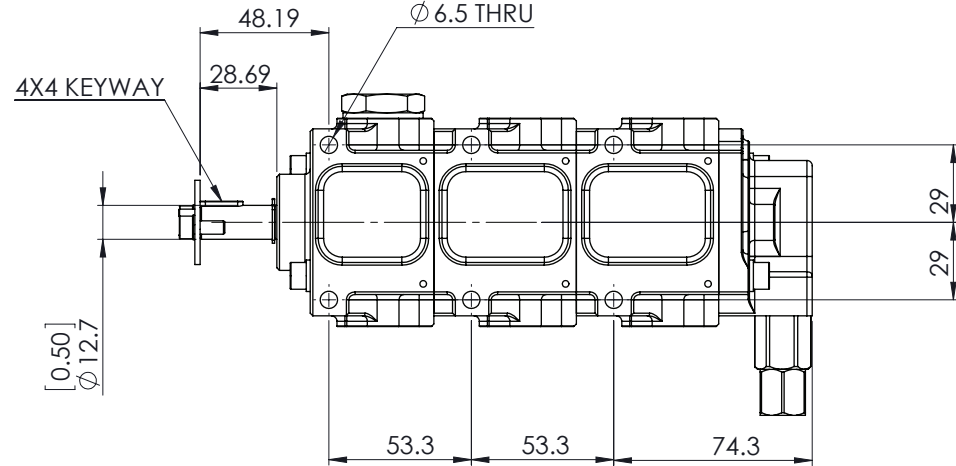
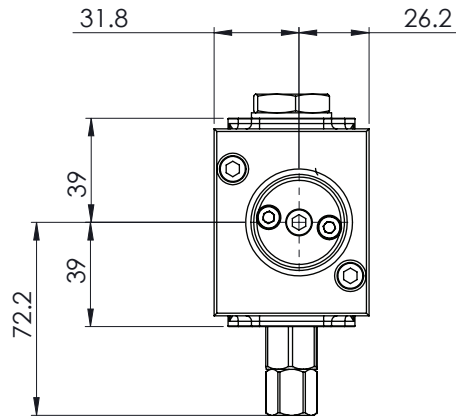
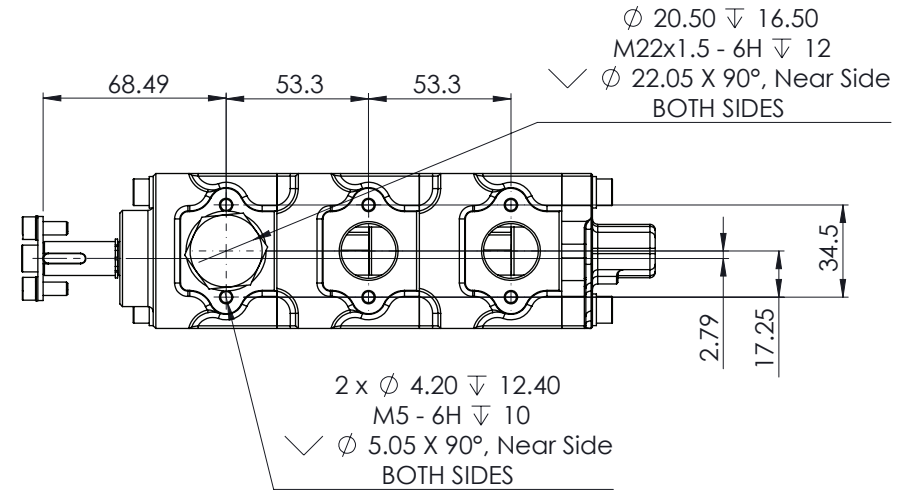

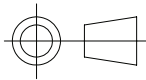


NOTES:

1. DISPLACEMENT PER REVERLUTION PER STAGE = 7.9 CC/REV
2. DISPLACEMENT AT 1000 RPM = 7.9 LT/MIN
3. PRV CRACKING PRESSURE:-
MINIMUM = 2.9 BAR (42 PSI)
MAXIMUM = 8.27 BAR (120PSI)
4. FOR EACH FULL TURN OF THE ADJUSTER THE CRACKING PRESSURE WILL INCREASE/DECREASE BY 0.25 BAR (3.6 PSI)



ISOMETRIC VIEW

 COPYRIGHT (c) 2013 AT POWER LTD UNIT 9, CHESTNUT DRIVE, WYMONDHAM, NORFOLK, UK, NR18 9SB	 THIRD ANGLE PROJECTION	MATERIAL	SEE COMPONENT PARTS
		FINISH	SEE COMPONENT PARTS
UNLESS OTHERWISE STATED: DIMENSIONS IN MILLIMETRES TOLERANCES: LINEAR ± 0.1 ANGULAR $\pm 0.5^\circ$ SURFACE FINISH $\checkmark = \sqrt{\quad}$ DRAWING STANDARDS TO ATQS 6003 DATE FORMAT: DD/MM/YY THIS DESIGN IS THE PROPERTY OF ACTIVE TECHNOLOGIES LTD AND MUST NOT BE REPRODUCED OR COMMUNICATED WITHOUT AUTHORITY	SCALE	WEIGHT	DRAWING TITLE 3 STAGE MINI CORDIS-FLG MTG - PRESSURE PUMP-SHORT NOSE-7.9 Lt
	1:2	-- kg	
	DRAWN-	S.HOW	
	DATE -	22/04/20	DRAWING NUMBER
	CHECKED -	S.HOW	104-103-00119
	APPROVED -	A.CLIFTON	