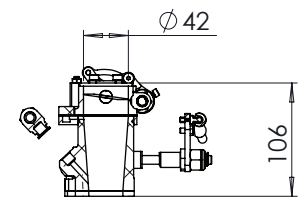
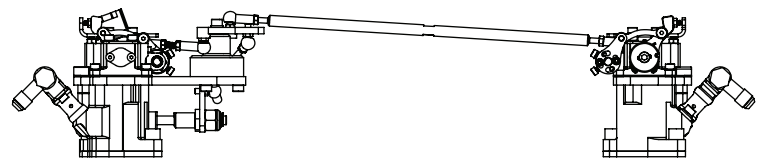
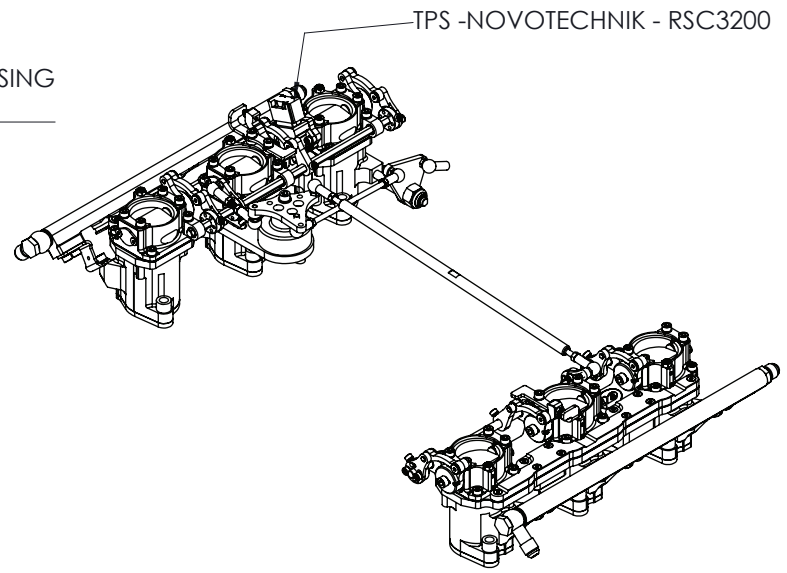

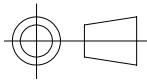


43
FROM SIDE OF THROTTLE HOUSING
TO SIDE OF LEVER ARM



SECTION A-A

 COPYRIGHT (c) 2013 AT POWER LTD UNIT 9, CHESTNUT DRIVE, WYMONDHAM, NORFOLK, UK, NR18 9SB	 THIRD ANGLE PROJECTION		MATERIAL	SEE COMPONENT PARTS
	SCALE 1:5	WEIGHT 5725.276 g	FINISH	SEE COMPONENT PARTS
UNLESS OTHERWISE STATED: DIMENSIONS IN MILLIMETRES TOLERANCES: LINEAR ± 0.1 ANGULAR $\pm 0.5^\circ$ SURFACE FINISH $\checkmark = \checkmark$ DRAWING STANDARDS TO ATQS 6003 DATE FORMAT: DD/MM/YY THIS DESIGN IS THE PROPERTY OF AT POWER THROTTLES LTD AND MUST NOT BE REPRODUCED OR COMMUNICATED WITHOUT AUTHORITY	DRAWN- S.HOW	DRAWING TITLE		
	DATE - 28/01/21	PORSCHE 911-E - 2.0-2.2L- 2.4L - 1970-73 - 32 DIA PORT TO 42 - CABLE		
	CHECKED - S.HOW	DRAWING NUMBER		
APPROVED - A.CLIFTON	CAD PLOT DO NOT SCALE		102-102-00260 SHEET 2 OF 2 A3	