

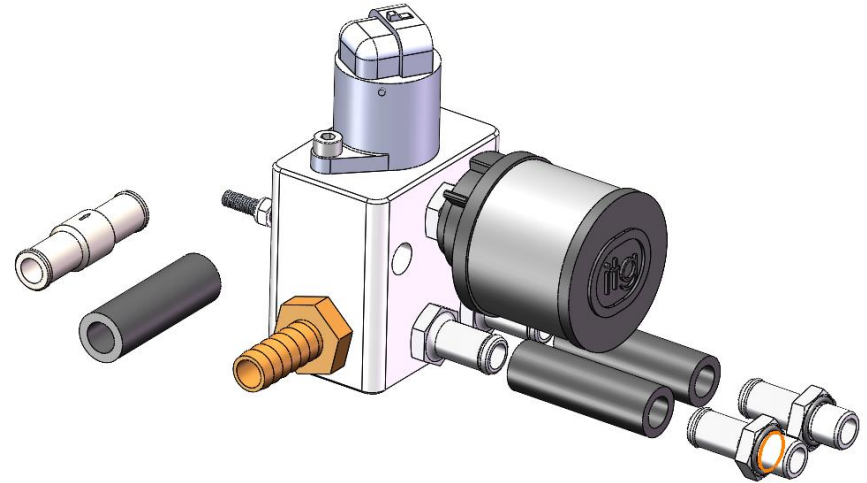


PORSCHE 911 & 964 BRAKE BOOST AND/OR COLD IDLE CONTROL

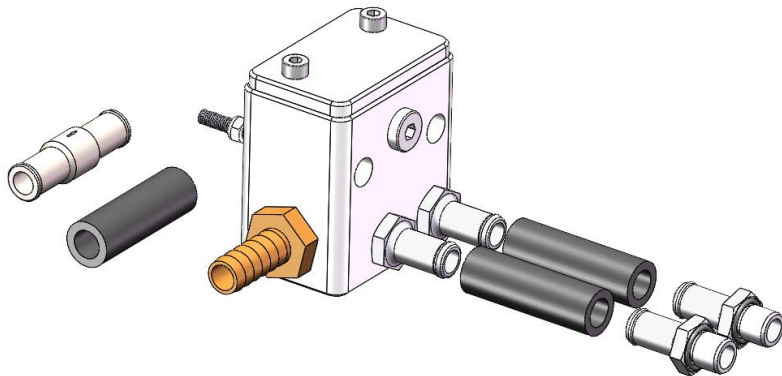
BRAKE BOOST IS REQUIRED FOR HYDRAULIC ASSISTED BRAKES.

I.A.C CONTROL IS REQUIRED FOR COLD IDLE CONTROL FOR USE WITH EMERALD ECU KIT AND A.T.POWER SUPPLIED MOTEC ECU KIT.

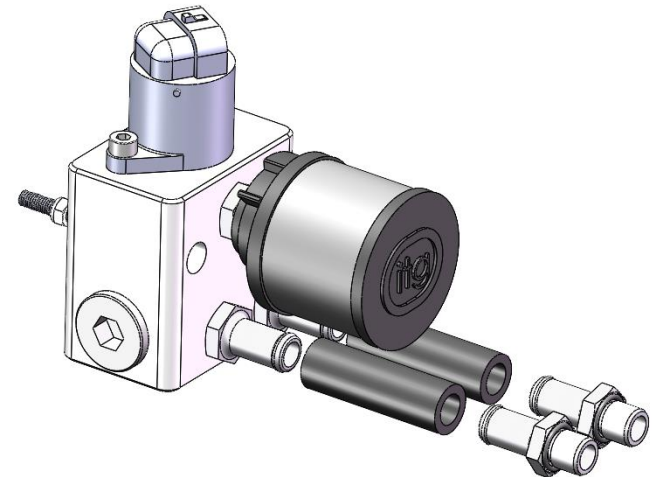
ASSEMBLY COMES WITH ALL COMPONENTS TO PROVIDE 3 SET UP OPTIONS.



SET UP WITH IAC CONTROL AND BRAKE BOOST



SET UP WITH BRAKE BOOST



SET UP WITH I.A.C CONTROL