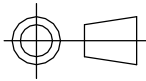
 COPYRIGHT (c) 2013 AT POWER LTD UNIT 9, CHESTNUT DRIVE, WYMONDHAM, NORFOLK, UK, NR18 9SB	 THIRD ANGLE PROJECTION	MATERIAL	SEE COMPONENT PARTS
		FINISH	SEE COMPONENT PARTS
UNLESS OTHERWISE STATED: DIMENSIONS IN MILLIMETRES TOLERANCES: LINEAR ± 0.1 ANGULAR ± 0.5° SURFACE FINISH √ = √ DRAWING STANDARDS TO ATQS 6003 DATE FORMAT: DD/MM/YY	SCALE	DRAWING TITLE	
	1:1	WEIGHT	ASSY - SINGLE BORE - 42MM
THIS DESIGN IS THE PROPERTY OF ACTIVE TECHNOLOGIES LTD AND MUST NOT BE REPRODUCED OR COMMUNICATED WITHOUT AUTHORITY	DRAWN -	DRAWING NUMBER	
	S.HOW	102-120-00004	
CAD PLOT DO NOT SCALE	DATE -	SHEET 2 OF 2 A3	
	21/10/15		
CHECKED -	APPROVED -		
M.DAVIS	A.CLIFTON		