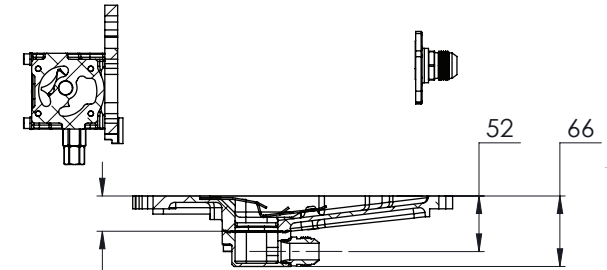
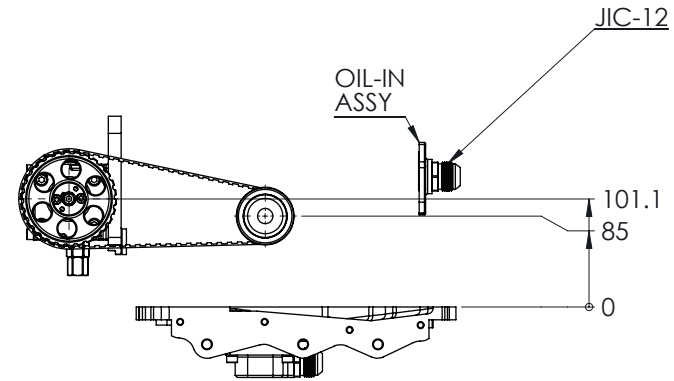
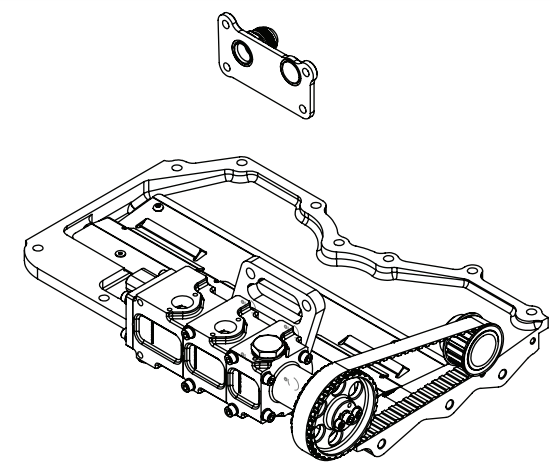
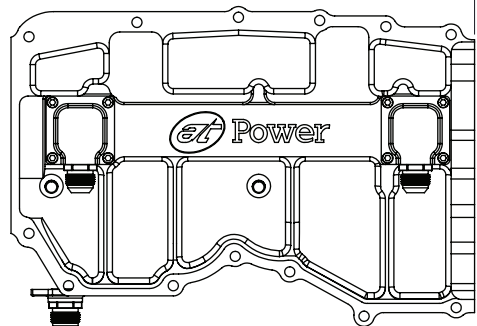
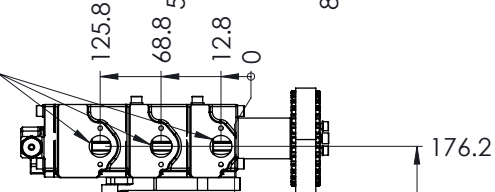


THREAD SIZE FOR ALL PUMP FITTINGS
M22X1.5 - 6H



33 PAN DEPTH

SECTION B-B

NOTES:

1. SCAVENGE DISPLACEMENT PER REVOLUTION PER STAGE = 14.3 CC/REV
2. SCAVENGE DISPLACEMENT AT 1000 RPM = 14.3 LT/MIN
3. PUMP DISPLACEMENT PER REVOLUTION PER STAGE = 20.1 CC/REV
4. PUMP DISPLACEMENT AT 1000 RPM = 20.1 LT/MIN
5. DRIVE RATIO - 16/30



**COPYRIGHT (c) 2013
AT POWER LTD
UNIT 9, CHESTNUT DRIVE, WYMONDHAM,
NORFOLK, UK, NR18 9SB**

UNLESS OTHERWISE STATED:
DIMENSIONS IN MILLIMETRES
TOLERANCES: LINEAR ± 0.1 ANGULAR $\pm 0.5^\circ$
SURFACE FINISH $\checkmark = \checkmark$
DRAWING STANDARDS TO ATQS 6003
DATE FORMAT: DD/MM/YY
THIS DESIGN IS THE PROPERTY OF
AT POWER THROTTLES LTD AND
MUST NOT BE REPRODUCED OR
COMMUNICATED WITHOUT
AUTHORITY

THIRD ANGLE PROJECTION	
SCALE 1:5	WEIGHT 6.5 kg
DRAWN- S.HOW	DATE - 19/06/19
CHECKED - S.HOW	
APPROVED - A.CLIFTON	

MATERIAL	SEE COMPONENT PARTS
FINISH	SEE COMPONENT PARTS
DRAWING TITLE	ASSY - SUMP KIT - FORD - DURATEC - 3/4" BELT - EXHAUST - 2.0L
DRAWING NUMBER	105-102-00012