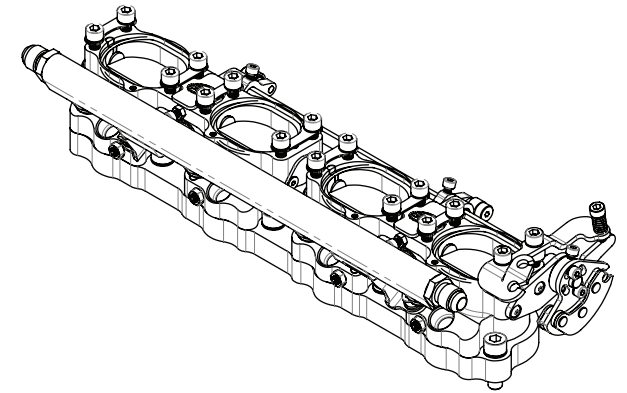
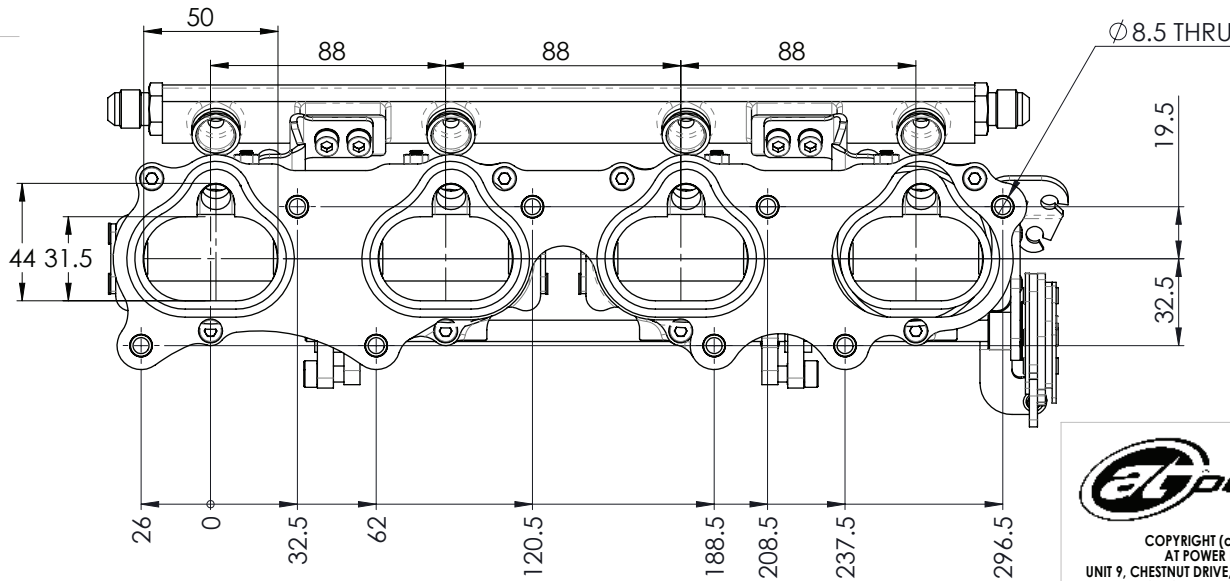
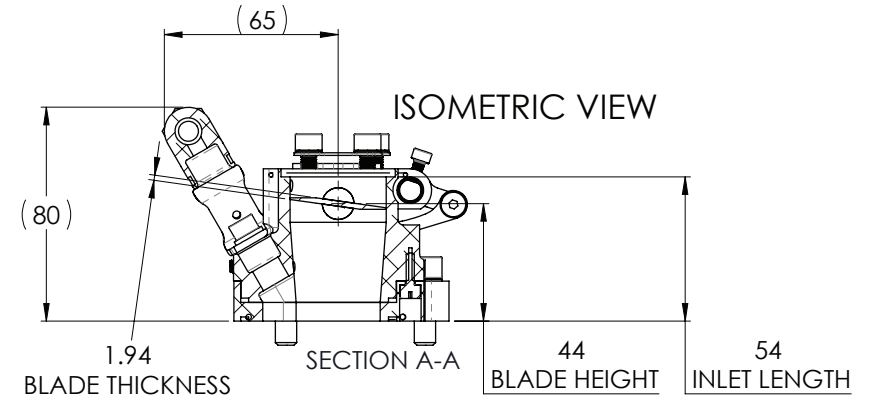
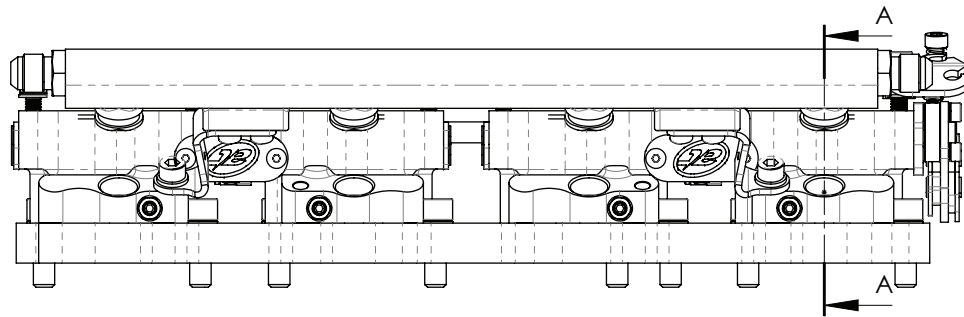

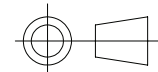


NOTE;

BLADE DIMENSIONS - 50 WIDE x 36 HIGH
 = \varnothing 45mm EQUIVALENT OVAL



 <p>COPYRIGHT (c) 2013 AT POWER LTD UNIT 9, CHESTNUT DRIVE, WYMONDHAM, NORFOLK, UK, NR18 9SB</p>	 <p>THIRD ANGLE PROJECTION</p>	MATERIAL	SEE COMPONENT PARTS
		FINISH	SEE COMPONENT PARTS
<p>UNLESS OTHERWISE STATED: DIMENSIONS IN MILLIMETRES TOLERANCES: LINEAR \pm 0.1 ANGULAR \pm 0.5° SURFACE FINISH $\surd = \surd$ DRAWING STANDARDS TO ATQS 6003 DATE FORMAT: DD/MM/YY</p> <p>THIS DESIGN IS THE PROPERTY OF AT POWER THROTTLES LTD AND MUST NOT BE REPRODUCED OR COMMUNICATED WITHOUT AUTHORITY</p>	SCALE	WEIGHT	<p>DRAWING TITLE</p> <p>ASSY - HOUSING - TWIN - VW - ABF</p>
	1:2	2.0 kg	
	DRAWN - S.HOW	DATE - 22/03/21	
	CHECKED - S.HOW	DRAWING NUMBER	<p>102-104-00043</p>
	APPROVED - A.CLIFTON		