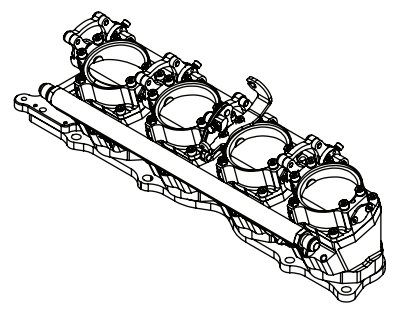
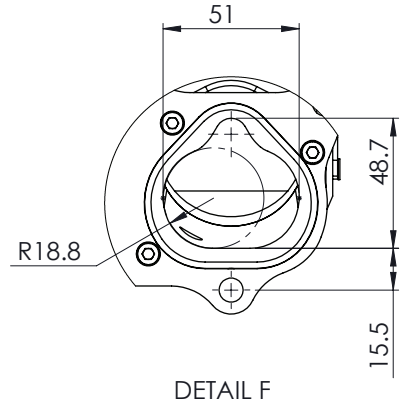
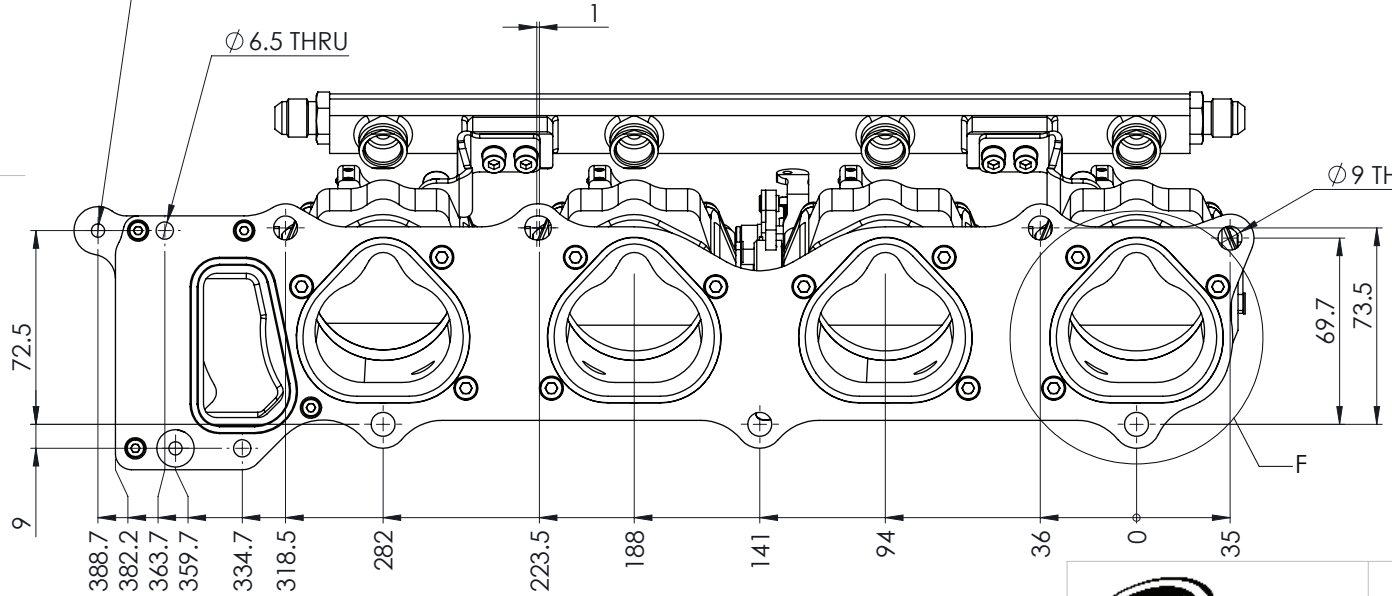


2 x Ø 5 THRU ALL
M6x1.0 - 6H THRU ALL

Ø 6.5 THRU

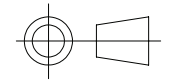
Ø 9 THRU



COPYRIGHT (c) 2013
AT POWER LTD
UNIT 9, CHESTNUT DRIVE, WYMONDHAM,
NORFOLK, UK, NR18 9SB

UNLESS OTHERWISE STATED:
DIMENSIONS IN MILLIMETRES
TOLERANCES: LINEAR ± 0.1 ANGULAR ± 0.5°
SURFACE FINISH √ = √
DRAWING STANDARDS TO ATQS 6003
DATE FORMAT: DD/MM/YY

THIS DESIGN IS THE PROPERTY OF
AT POWER THROTTLES LTD AND
MUST NOT BE REPRODUCED OR
COMMUNICATED WITHOUT
AUTHORITY



THIRD ANGLE PROJECTION

SCALE 1:2 WEIGHT 3.5 kg

DRAWN- S.HOW

DATE - 04/03/20

CHECKED - S.HOW

APPROVED - A.CLIFTON

CAD PLOT
DO NOT
SCALE

MATERIAL	SEE COMPONENT PARTS
FINISH	SEE COMPONENT PARTS
DRAWING TITLE	ASSY - HOUSING - UNIVERSAL - HONDA - K20 - DC5 - 55MM- (STD PORT)
DRAWING NUMBER	102-109-00048