
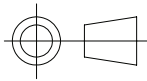


SECTION A-A

 COPYRIGHT (c) 2013 AT POWER LTD UNIT 9, CHESTNUT DRIVE, WYMONDHAM, NORFOLK, UK, NR18 9SB	 THIRD ANGLE PROJECTION	MATERIAL	SEE COMPONENT PARTS
		FINISH	SEE COMPONENT PARTS
UNLESS OTHERWISE STATED: DIMENSIONS IN MILLIMETRES TOLERANCES: LINEAR ± 0.1 ANGULAR ± 0.5° SURFACE FINISH ✓ = ✓ DRAWING STANDARDS TO ATQS 6003 DATE FORMAT: DD/MM/YY THIS DESIGN IS THE PROPERTY OF AT POWER THROTTLERS LTD AND MUST NOT BE REPRODUCED OR COMMUNICATED WITHOUT AUTHORITY	SCALE 1:5	WEIGHT 6230.978 g	DRAWING TITLE
	DRAWN- S.HOW	DATE - 29/01/21	PORSCHE 911 - 1978-89 - 40 DIA PORT TO 45 - DBW
	CHECKED - S.HOW	APPROVED - A.CLIFTON	DRAWING NUMBER 102-102-00278
CAD PLOT DO NOT SCALE			SHEET 2 OF 2 A3