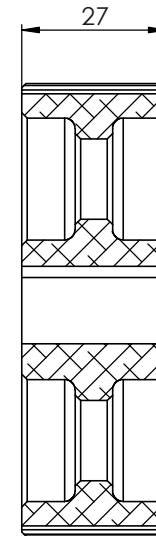
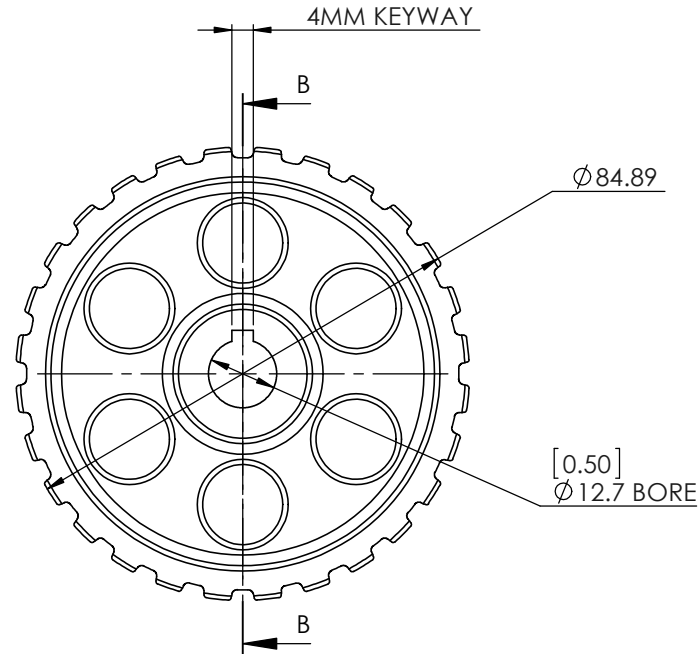

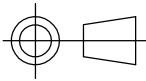


# 28 TOOTH "L" SECTION 3/8" PITCH PULLEY SUITABLE FOR MINI CORDIS & CORDIS PUMPS



SECTION B-B

 COPYRIGHT (c) 2013 AT POWER LTD UNIT 9, CHESTNUT DRIVE, WYMONDHAM, NORFOLK, UK, NR18 9SB	 THIRD ANGLE PROJECTION		MATERIAL ALUMINIUM HE30
	SCALE 1:1	WEIGHT 0.18 kg	FINISH HARD ANODISED
UNLESS OTHERWISE STATED: DIMENSIONS IN MILLIMETRES TOLERANCES: LINEAR ± 0.1 ANGULAR ± 0.5° SURFACE FINISH $\sqrt{\text{V}}$ = $\sqrt{\text{V}}$ DRAWING STANDARDS TO ATQS 6003 DATE FORMAT: DD/MM/YY	DRAWN - S.HOW	DRAWING TITLE PULLEY - PUMP - 28 TOOTH - 1" WIDE - 1/2" BORE	
	DATE - 22/06/17	CHECKED - S.HOW	DRAWING NUMBER 104-204-00006
THIS DESIGN IS THE PROPERTY OF AT POWER THROTTLES LTD AND MUST NOT BE REPRODUCED OR COMMUNICATED WITHOUT AUTHORITY	CAD PLOT DO NOT SCALE	APPROVED - A.CLIFTON	SHEET 2 OF 2 A3