
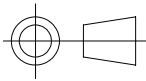


SECTION A-A

 COPYRIGHT (c) 2013 AT POWER LTD UNIT 9, CHESTNUT DRIVE, WYMONDHAM, NORFOLK, UK, NR18 9SB	 THIRD ANGLE PROJECTION	MATERIAL		SEE COMPONENT PARTS
		FINISH		SEE COMPONENT PARTS
UNLESS OTHERWISE STATED: DIMENSIONS IN MILLIMETRES TOLERANCES: LINEAR ± 0.1 ANGULAR ± 0.5° SURFACE FINISH ✓ = ✓ DRAWING STANDARDS TO ATQS 6003 DATE FORMAT: DD/MM/YY THIS DESIGN IS THE PROPERTY OF AT POWER THROTTLES LTD AND MUST NOT BE REPRODUCED OR COMMUNICATED WITHOUT AUTHORITY	SCALE	WEIGHT	DRAWING TITLE	
	1:5	5397.458 g	PORSCHÉ 911 CARRERA- 1984-89 - 40 DIA PORT TO 45 - CABLE	
	DRAWN-	S.HOW	DRAWING NUMBER	
	DATE -	28/01/21	102-102-00268	
	CHECKED -	S.HOW	SHEET 2 OF 2 A3	
	APPROVED -	A.CLIFTON		