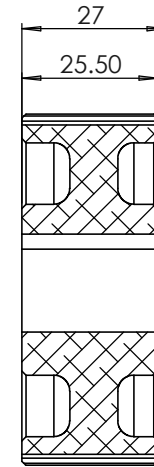
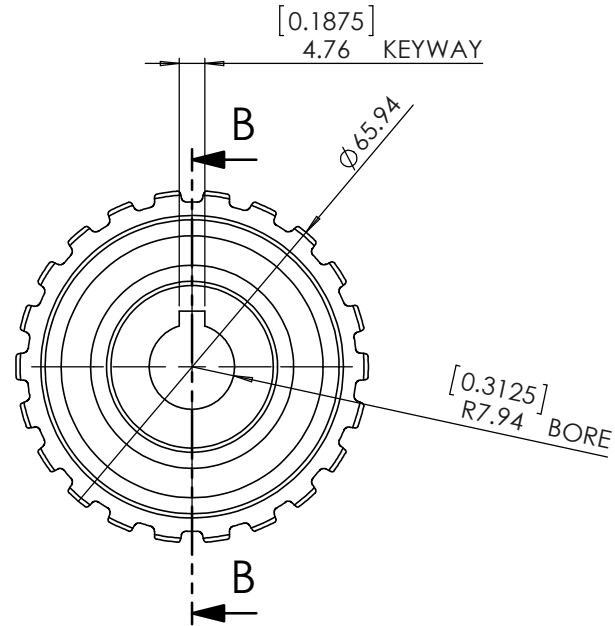

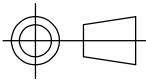


# 22 TOOTH "L" SECTION 3/8" PITCH PULLEY SUITABLE FOR MAGNA CORDIS PUMPS



SECTION B-B  
SCALE 1 : 1

 COPYRIGHT (c) 2013 AT POWER LTD UNIT 9, CHESTNUT DRIVE, WYMONDHAM, NORFOLK, UK, NR18 9SB	 THIRD ANGLE PROJECTION		MATERIAL ALUMINIUM HE30
	SCALE 2:1	WEIGHT 0.14 kg	FINISH HARD ANODISED
UNLESS OTHERWISE STATED: DIMENSIONS IN MILLIMETRES TOLERANCES: LINEAR ± 0.1 ANGULAR ± 0.5° SURFACE FINISH √ = √ DRAWING STANDARDS TO ATQS 6003 DATE FORMAT: DD/MM/YY	DRAWN- M.DAVIS	DRAWING TITLE PULLEY - PUMP - 22 TOOTH - 1" WIDE - 5/8" BORE	
	DATE - 07/01/15	CHECKED - S.HOW	DRAWING NUMBER 104-204-00020
THIS DESIGN IS THE PROPERTY OF AT POWER THROTTLES LTD AND MUST NOT BE REPRODUCED OR COMMUNICATED WITHOUT AUTHORITY	CAD PLOT DO NOT SCALE	APPROVED - A.CLIFTON	SHEET 2 OF 2 A3