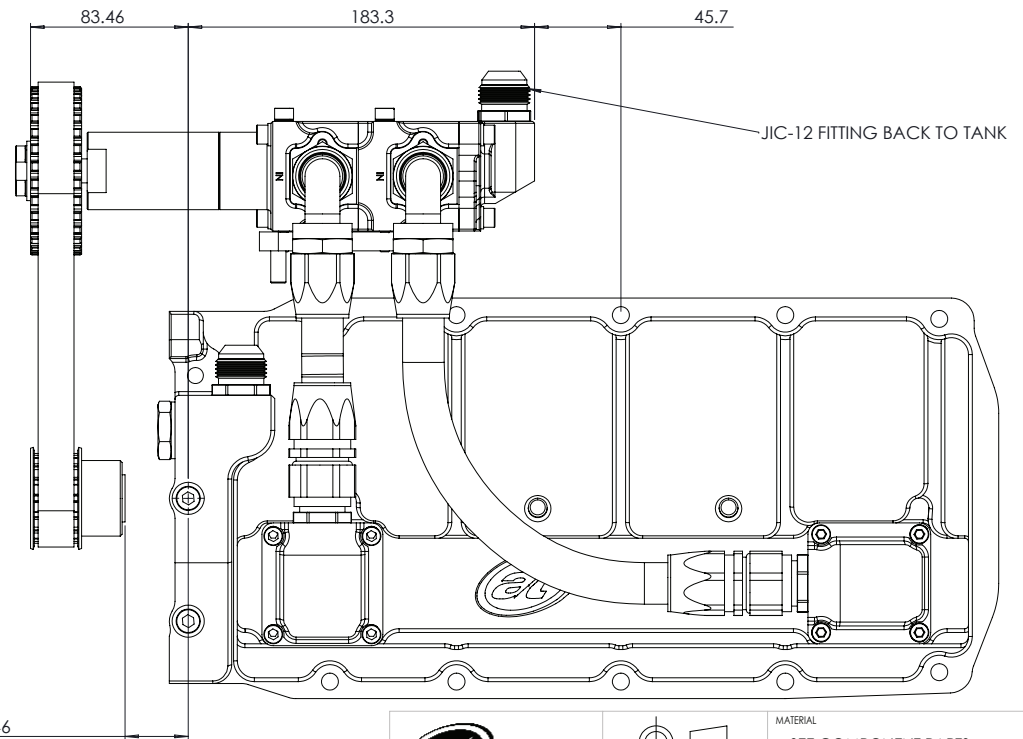
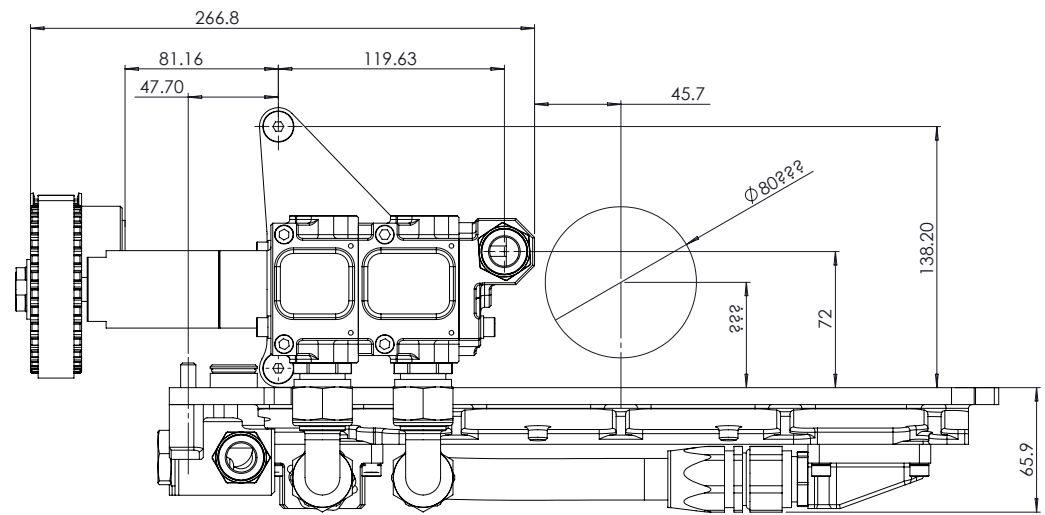
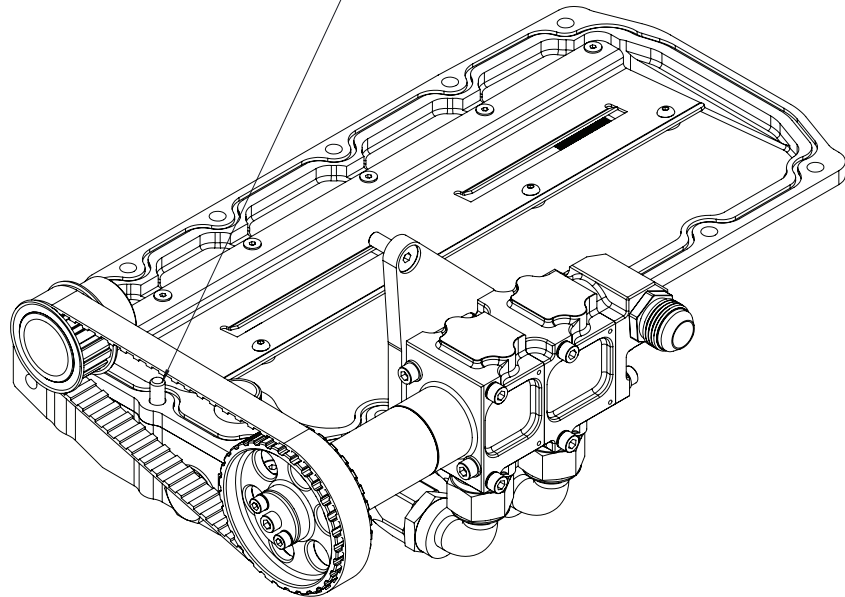
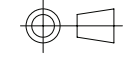


FRONT CENTRE PAN FIXING
USED AS DATUM FOR DIMENSIONS



COPYRIGHT (c) 2013
AT POWER LTD
UNIT 9, CHESTNUT DRIVE, WYMONDHAM,
WORCESTER, UK, NE18 9SB

UNLESS OTHERWISE STATED:
DIMENSIONS IN MILLIMETRES
TOLERANCES: LINEAR ± 0.1 ANGULAR $\pm 0.5^\circ$
SURFACE FINISH $\sqrt{}$
DRAWING STANDARDS TO AQS 6003
DATE FORMAT: DD/MM/YY
THIS DESIGN IS THE PROPERTY OF
AT POWER THROTLES LTD AND
MUST NOT BE REPRODUCED OR
COMMUNICATED WITHOUT
AUTHORITY



THIRD ANGLE PROJECTION

SCALE 1:2 WEIGHT 5.5 kg

DRAWN - S.HOW

DATE - 16/07/19

CHECKED - --

APPROVED - A.CLIFTON

MATERIAL
SEE COMPONENT PARTS

FINISH
SEE COMPONENT PARTS

DRAWING TITLE
**ASSY - SUMP KIT -
FORD - 1.6L -
ECOBOOST**

DRAWING NUMBER
105-102-00042