
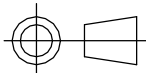


ISOMETRIC VIEW

 COPYRIGHT (c) 2013 AT POWER LTD UNIT 9, CHESTNUT DRIVE, WYMONDHAM, NORFOLK, UK, NR18 9SB	 THIRD ANGLE PROJECTION	MATERIAL	SEE COMPONENT PARTS
		FINISH	SEE COMPONENT PARTS
UNLESS OTHERWISE STATED: DIMENSIONS IN MILLIMETRES TOLERANCES: LINEAR ± 0.1 ANGULAR ± 0.5° SURFACE FINISH √ = √ DRAWING STANDARDS TO ATQS 6003 DATE FORMAT: DD/MM/YY	SCALE 1:1 WEIGHT 0.3 kg	DRAWING TITLE	
	DRAWN - S.HOW DATE - 21/10/15	ASSY - SINGLE BORE - 45MM	
THIS DESIGN IS THE PROPERTY OF ACTIVE TECHNOLOGIES LTD AND MUST NOT BE REPRODUCED OR COMMUNICATED WITHOUT AUTHORITY	CHECKED - M.DAVIS APPROVED - A.CLIFTON	DRAWING NUMBER	
CAD PLOT DO NOT SCALE	102-120-00005		SHEET 2 OF 2 A3