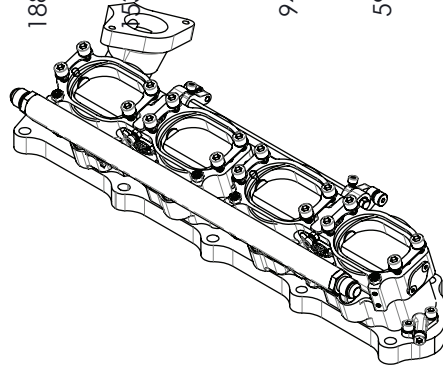
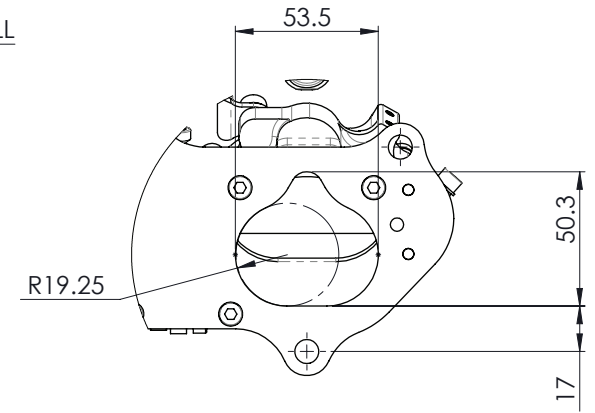
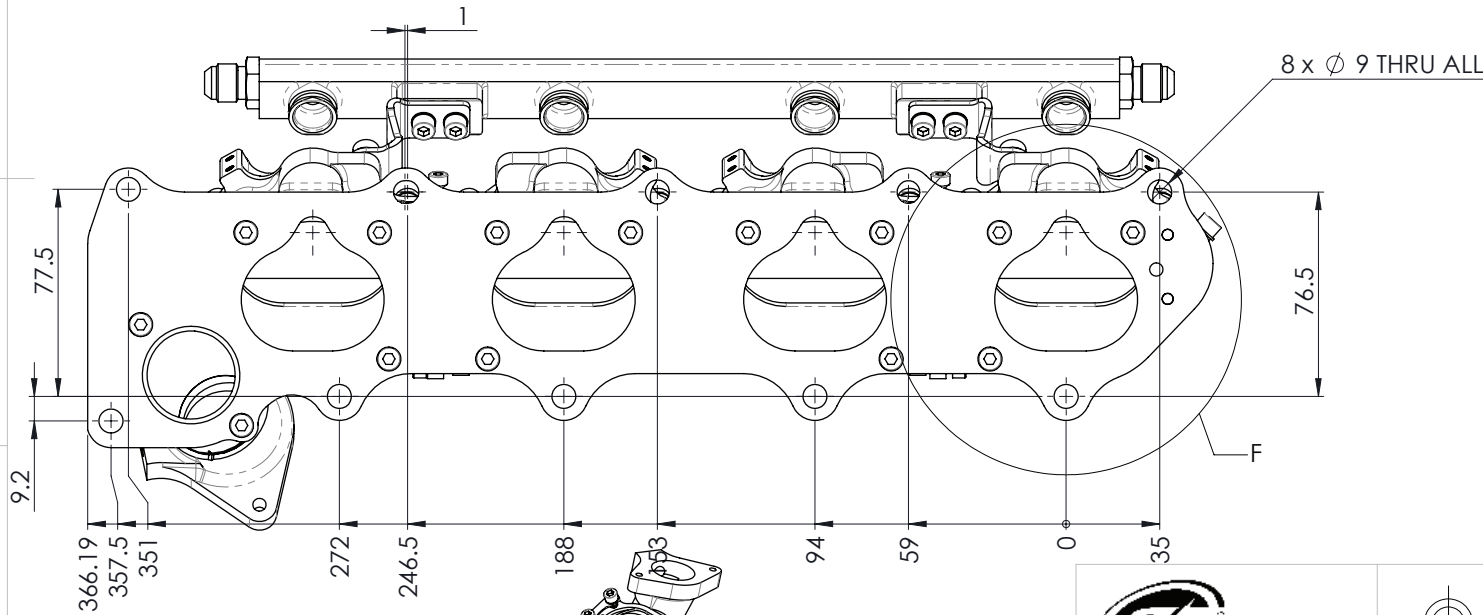
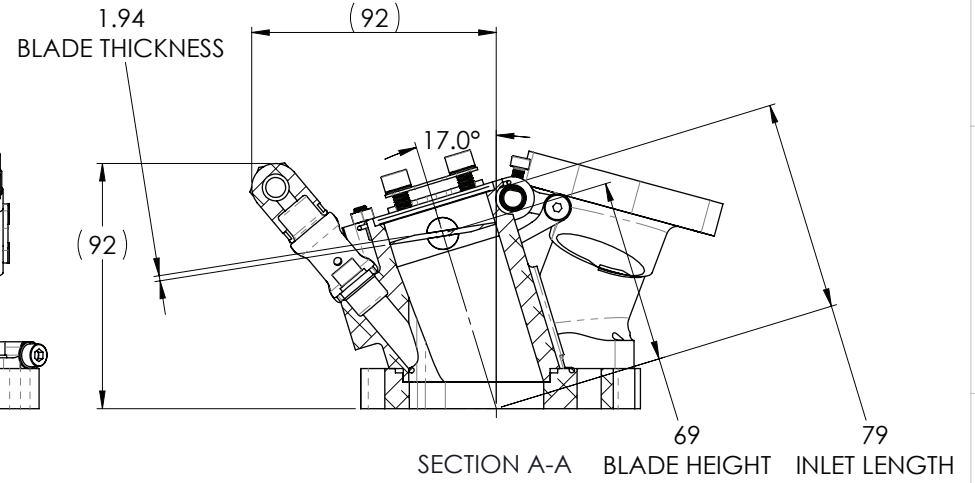
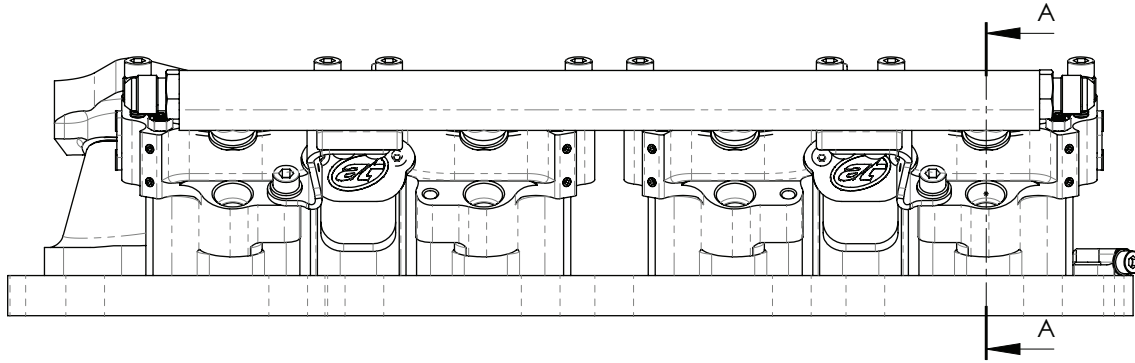


NOTE;

BLADE DIMENSIONS - 60 WIDE x 40 HIGH
 = \varnothing 52mm EQUIVALENT OVAL

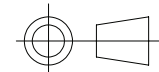


COPYRIGHT (c) 2013
 AT POWER LTD
 UNIT 9, CHESTNUT DRIVE, WYMONDHAM,
 NORFOLK, UK, NR18 9SB

UNLESS OTHERWISE STATED:
 DIMENSIONS IN MILLIMETRES
 TOLERANCES: LINEAR ± 0.1 ANGULAR $\pm 0.5^\circ$
 SURFACE FINISH $\checkmark = \checkmark$
 DRAWING STANDARDS TO ATQS 6003
 DATE FORMAT: DD/MM/YY

THIS DESIGN IS THE PROPERTY OF
 AT POWER THROTTLES LTD AND
 MUST NOT BE REPRODUCED OR
 COMMUNICATED WITHOUT
 AUTHORITY

CAD PLOT
 DO NOT
 SCALE



THIRD ANGLE PROJECTION
 SCALE 1:2 WEIGHT 3.0 kg

DRAWN- S.HOW

DATE - 02/12/20

CHECKED - S.HOW

APPROVED - A.CLIFTON

MATERIAL	SEE COMPONENT PARTS
FINISH	SEE COMPONENT PARTS
DRAWING TITLE	ASSY - HOUSING - TWIN - HONDA - F20 - 52MM - STANDARD- CABLE PULL
DRAWING NUMBER	102-104-00095