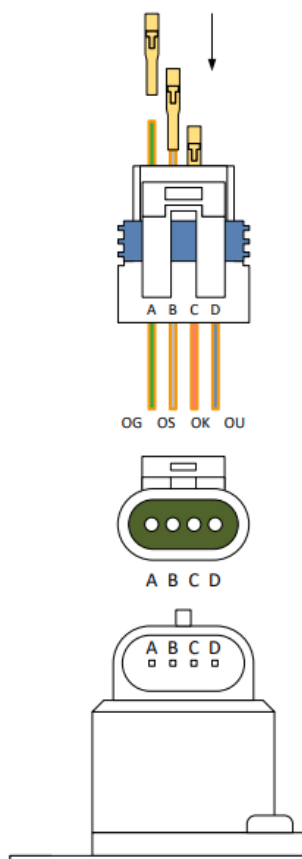




## IDLE AIR CONTROL VALVE PIN OUT DETAILS

### Bipolar stepper motor



| Pin ID | Function | Colour        | K6 ECU |
|--------|----------|---------------|--------|
| A      | Coil 1a  | Orange/ Green | 3      |
| B      | Coil 2a  | Orange/ Slate | 27     |
| C      | Coil 2b  | Orange/ Pink  | 22     |
| D      | Coil 1b  | Orange/ Blue  | 2      |

Open sequence 3 – 22 – 2 - 27