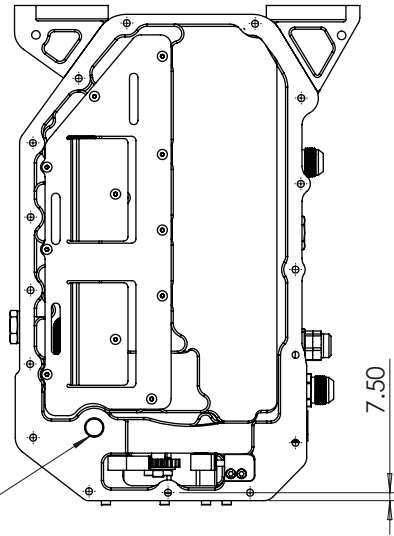


TURBO DRAIN
M22 X 1.5 PITCH
BLANKING PLUG SUPPLIED

UTILISING EXISTING CHAIN
AND FIXED CHAIN GUIDE



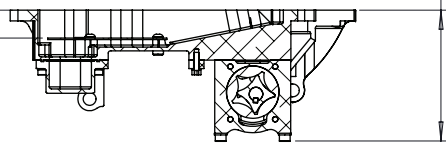
7.50

OEM WET SUMP
1.50

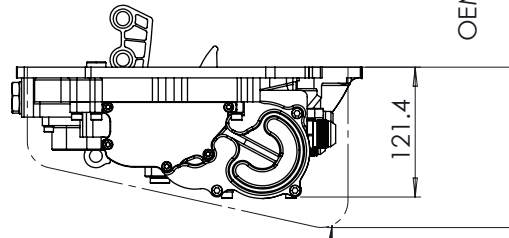
OIL FEED TO MAIN
GALLERY AS PER OEM

26

122.3

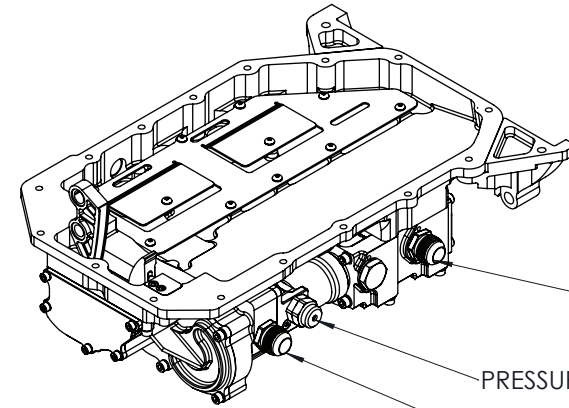


SECTION A-A



121.4

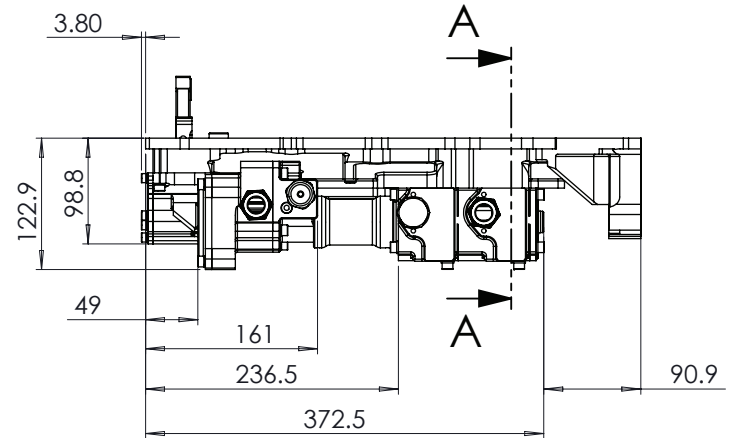
OEM WET SUMP PROFILE



SCAVENGE OUTLET
JIC-12

PRESSURE RELIEF VALVE (PRV)

OIL PUMP IN
JIC-12



3.80

122.9

98.8


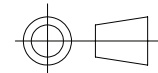
49

161

236.5

372.5

90.9

 <p>COPYRIGHT (c) 2013 AT POWER LTD UNIT 9, CHESTNUT DRIVE, WYMONDHAM, NORFOLK, UK, NR18 9SB</p> <p>UNLESS OTHERWISE STATED: DIMENSIONS IN MILLIMETRES TOLERANCES: LINEAR ± 0.1 ANGULAR ± 0.5° SURFACE FINISH $\sqrt{\text{ }}$ = $\sqrt{\text{ }}$ DRAWING STANDARDS TO ATQS 6003 DATE FORMAT: DD/MM/YY</p> <p>THIS DESIGN IS THE PROPERTY OF AT POWER THROTTLES LTD AND MUST NOT BE REPRODUCED OR COMMUNICATED WITHOUT AUTHORITY</p>	 <p>THIRD ANGLE PROJECTION</p>	MATERIAL	SEE COMPONENT PARTS		
		SCALE 1:5	WEIGHT 10.6 kg	FINISH	SEE COMPONENT PARTS
		DRAWN - S.HOW	DATE - 17/09/20	DRAWING TITLE ASSY - HONDA K20/24 INTERGRATED SUMP KIT V2	
		CHECKED - S.HOW	APPROVED - A.CLIFTON	DRAWING NUMBER	105-102-00044
CAD PLOT DO NOT SCALE		SHEET 2 OF 2 A3			