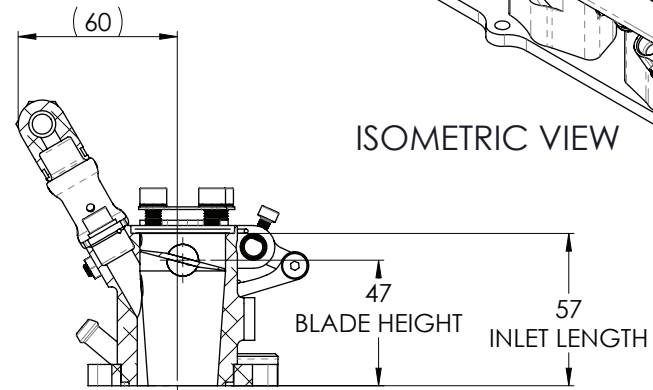
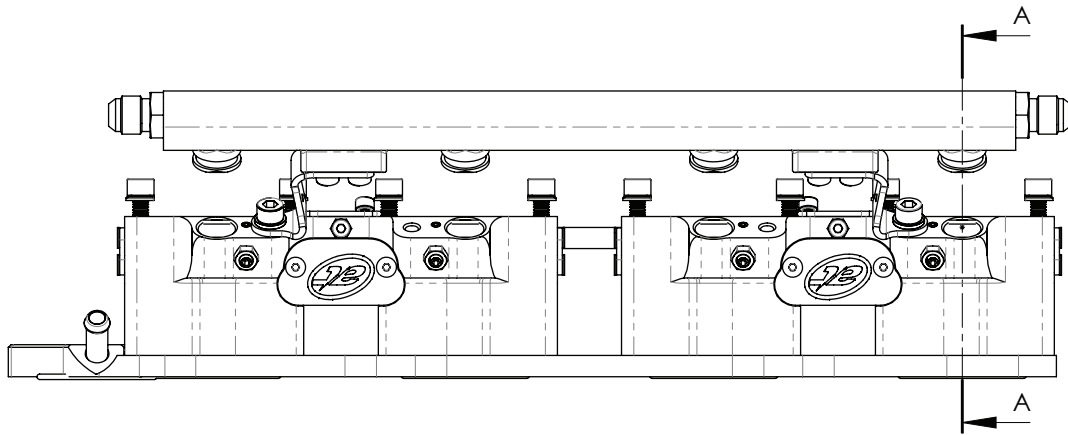


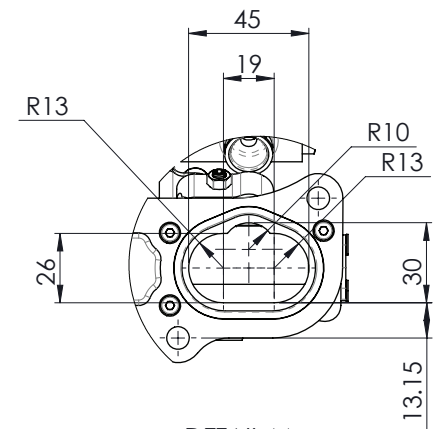
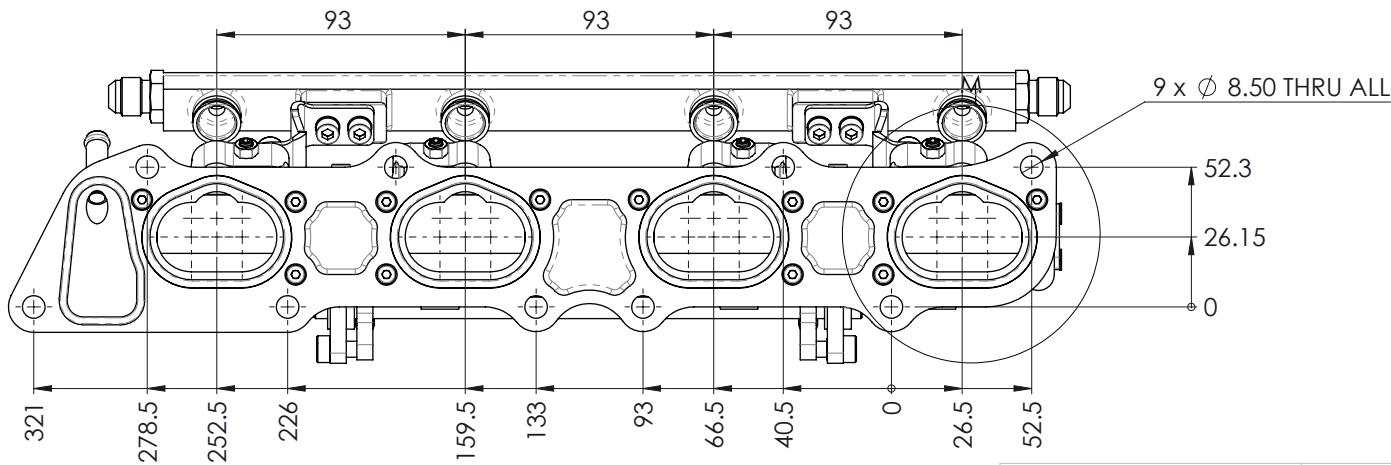
NOTE;

BLADE DIMENSIONS - 48 WIDE x 32 HIGH
 = $\varnothing 42\text{mm}$ EQUIVALENT OVAL



ISOMETRIC VIEW

SECTION A-A



DETAIL M

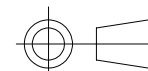


COPYRIGHT (c) 2013
 AT POWER LTD
 UNIT 9, CHESTNUT DRIVE, WYMONDHAM,
 NORFOLK, UK, NR18 9SB

UNLESS OTHERWISE STATED:
 DIMENSIONS IN MILLIMETRES
 TOLERANCES: LINEAR ± 0.1 ANGULAR $\pm 0.5^\circ$
 SURFACE FINISH $\checkmark = \checkmark$
 DRAWING STANDARDS TO ATQS 6003
 DATE FORMAT: DD/MM/YY

THIS DESIGN IS THE PROPERTY OF
 ACTIVE TECHNOLOGIES LTD AND
 MUST NOT BE REPRODUCED OR
 COMMUNICATED WITHOUT
 AUTHORITY

CAD PLOT
 DO NOT
 SCALE



THIRD ANGLE PROJECTION

SCALE 1:2 WEIGHT 1.8 kg

DRAWN- S.HOW

DATE - 10/02/20

CHECKED - S.HOW

APPROVED - A.CLIFTON

MATERIAL

SEE COMPONENT PARTS

FINISH

SEE COMPONENT PARTS

DRAWING TITLE

ASSY - HOUSING - TWIN
 - VAUXHALL - X20XE

DRAWING NUMBER

102-104-00003