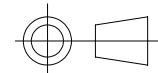
 COPYRIGHT (c) 2013 AT POWER LTD UNIT 9, CHESTNUT DRIVE, WYMONDHAM, NORFOLK, UK, NR18 9SB	 THIRD ANGLE PROJECTION		MATERIAL	SEE COMPONENT PARTS
	SCALE 1:2	WEIGHT 2.3 kg	FINISH	SEE COMPONENT PARTS
UNLESS OTHERWISE STATED: DIMENSIONS IN MILLIMETRES TOLERANCES: LINEAR ± 0.1 ANGULAR ± 0.5° SURFACE FINISH √ = √ DRAWING STANDARDS TO ATQS 6003 DATE FORMAT: DD/MM/YY	DRAWN- S.HOW	DATE - 12/11/20	DRAWING TITLE	
THIS DESIGN IS THE PROPERTY OF AT POWER THROTTLES LTD AND MUST NOT BE REPRODUCED OR COMMUNICATED WITHOUT AUTHORITY	CHECKED - M.DAVIS	APPROVED - A.CLIFTON	ASSY - HOUSING - TWIN - HAYABUSA - GEN 2 - 45MM - OEM INJECTOR	
CAD PLOT DO NOT SCALE			DRAWING NUMBER	102-104-00064