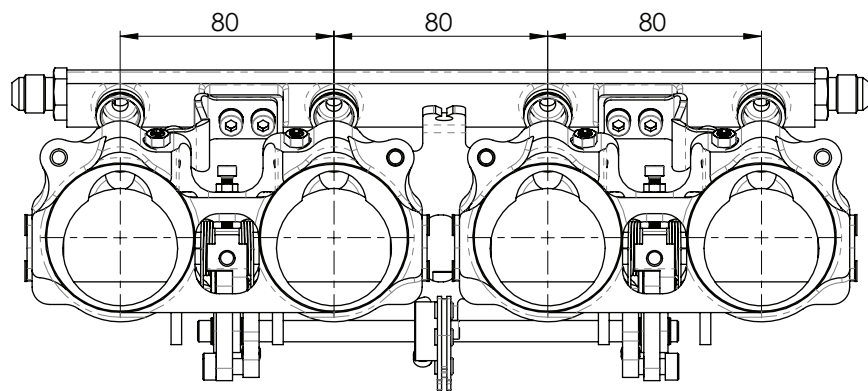
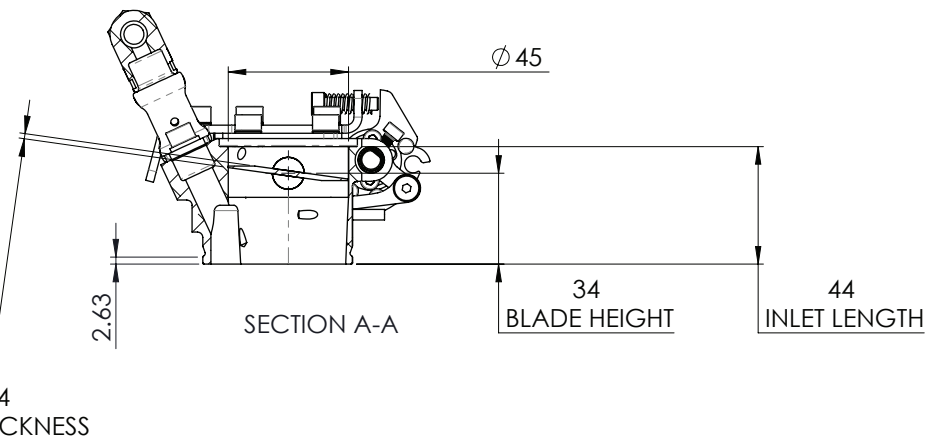
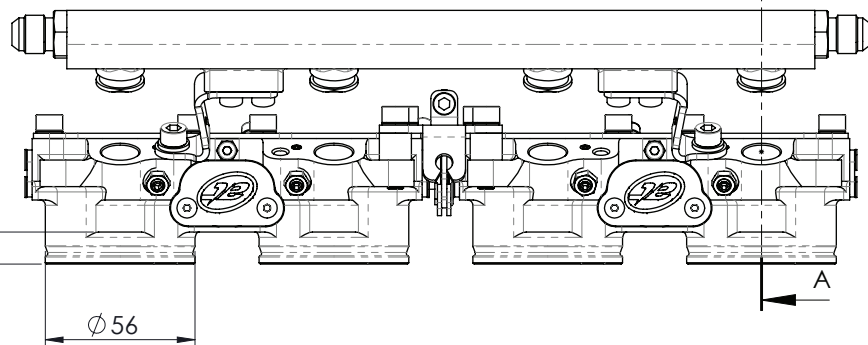


ISOMETRIC VIEW



at power

COPYRIGHT (c) 2013
 AT POWER LTD
 UNIT 9, CHESTNUT DRIVE, WYMONDHAM,
 NORFOLK, UK, NR18 9SB

UNLESS OTHERWISE STATED:
 DIMENSIONS IN MILLIMETRES
 TOLERANCES: LINEAR ± 0.1 ANGULAR ± 0.5°
 SURFACE FINISH √ = √
 DRAWING STANDARDS TO ATQS 6003
 DATE FORMAT: DD/MM/YY

THIS DESIGN IS THE PROPERTY OF
 AT POWER THROTTLES LTD AND
 MUST NOT BE REPRODUCED OR
 COMMUNICATED WITHOUT
 AUTHORITY

THIRD ANGLE PROJECTION

SCALE 1:2	WEIGHT 1.3 kg
DRAWN - S.HOW	
DATE - 12/11/20	
CHECKED - S.HOW	
APPROVED - A.CLIFTON	

CAD PLOT
DO NOT
SCALE

MATERIAL	SEE COMPONENT PARTS
FINISH	SEE COMPONENT PARTS
DRAWING TITLE	ASSY - HOUSING - TWIN - HAYABUSA - GEN 1 - 45MM -STD INJECTORS
DRAWING NUMBER	102-104-00102

SHEET 2 OF 2 A3