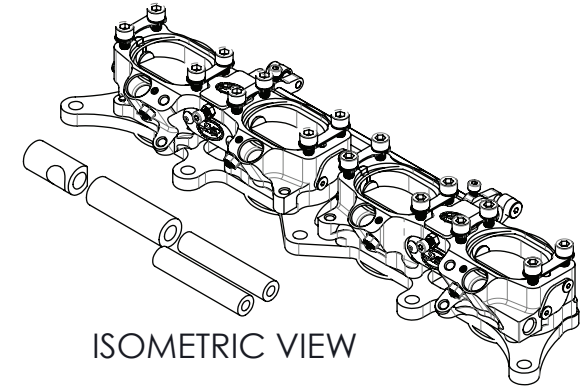
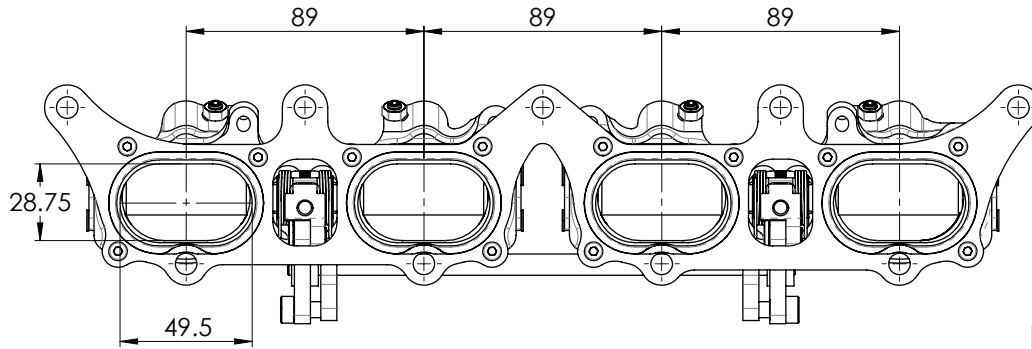
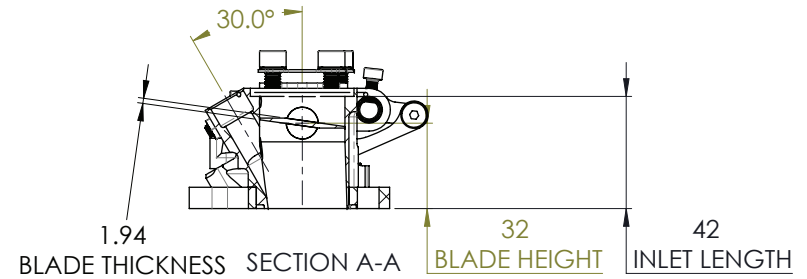
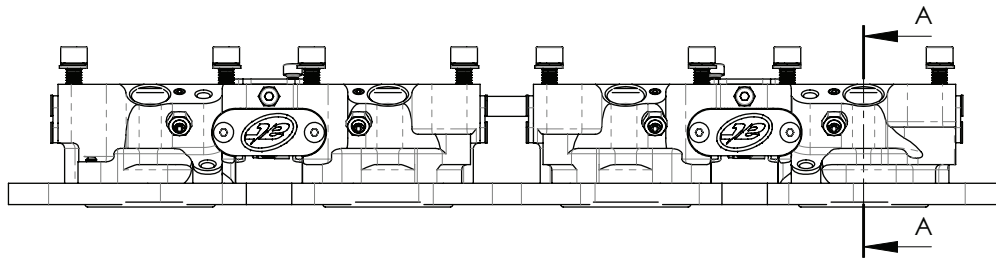



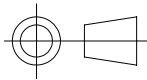
NOTE;

BLADE DIMENSIONS - 48 WIDE x 32 HIGH
 = \varnothing 42mm EQUIVALENT OVAL



ISOMETRIC VIEW



 COPYRIGHT (c) 2013 AT POWER LTD UNIT 9, CHESTNUT DRIVE, WYMONDHAM, NORFOLK, UK, NR18 9SB	 THIRD ANGLE PROJECTION	MATERIAL	SEE COMPONENT PARTS
		FINISH	SEE COMPONENT PARTS
UNLESS OTHERWISE STATED: DIMENSIONS IN MILLIMETRES TOLERANCES: LINEAR \pm 0.1 ANGULAR \pm 0.5° SURFACE FINISH \checkmark = \checkmark DRAWING STANDARDS TO ATQS 6003 DATE FORMAT: DD/MM/YY THIS DESIGN IS THE PROPERTY OF ACTIVE TECHNOLOGIES LTD AND MUST NOT BE REPRODUCED OR COMMUNICATED WITHOUT AUTHORITY	SCALE 1:2	WEIGHT 1.2 kg	DRAWING TITLE ASSY - HOUSING - TWIN - RENAULT - F4R
	DRAWN- S.HOW	DATE - 10/03/20	
	CHECKED - S.HOW	APPROVED - A.CLIFTON	SHEET 2 OF 2 A3