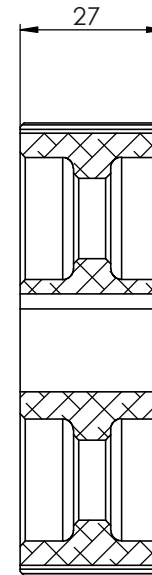
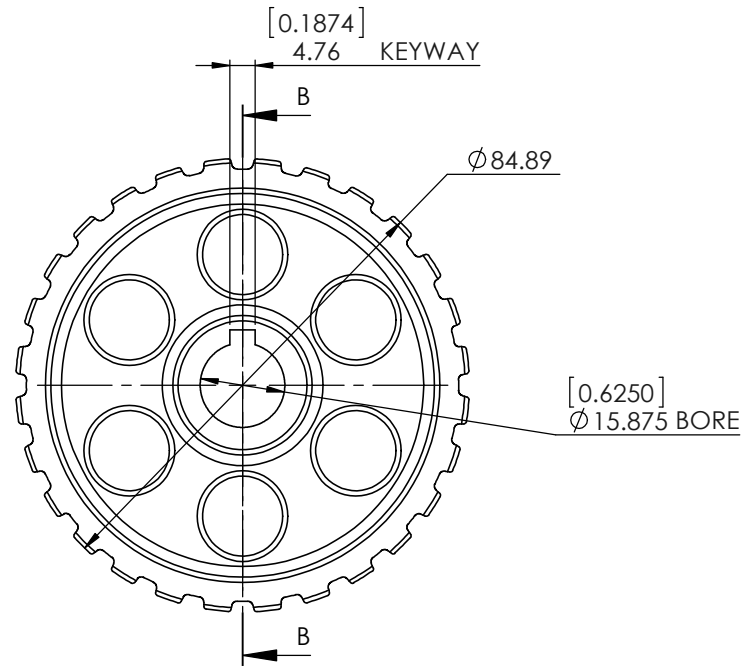


# 28 TOOTH "L" SECTION 3/8" PITCH PULLEY SUITABLE FOR MAGNA CORDIS PUMPS



SECTION B-B

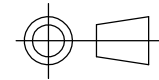


**COPYRIGHT (c) 2013  
AT POWER LTD  
UNIT 9, CHESTNUT DRIVE, WYMONDHAM,  
NORFOLK, UK, NR18 9SB**

UNLESS OTHERWISE STATED:  
DIMENSIONS IN MILLIMETRES  
TOLERANCES: LINEAR ± 0.1 ANGULAR ± 0.5°  
SURFACE FINISH  $\sqrt{\text{V}}$  =  $\sqrt{\text{V}}$   
DRAWING STANDARDS TO ATQS 6003  
DATE FORMAT: DD/MM/YY

THIS DESIGN IS THE PROPERTY OF  
AT POWER THROTTLES LTD AND  
MUST NOT BE REPRODUCED OR  
COMMUNICATED WITHOUT  
AUTHORITY

CAD PLOT  
DO NOT  
SCALE



THIRD ANGLE PROJECTION  
SCALE 1:1 WEIGHT 0.17 kg

DRAWN- M.Davis  
DATE - 07/01/15

CHECKED - S.HOW  
APPROVED - A.CLIFTON

MATERIAL  
ALUMINIUM HE30

FINISH  
HARD ANODISED

DRAWING TITLE  
PULLEY - PUMP - 28 TOOTH -  
1" WIDE - 5/8" BORE

DRAWING NUMBER  
104-204-00023